



# INNOVATIVE EXTRUSION TECHNOLOGY

Head Office and Manufacturing facility  
A2-66, Makarpura, Vadodara-390010  
Gujarat India

 [ashokindustries66@gmail.com](mailto:ashokindustries66@gmail.com)

 +91 88493 45989

 +91 88493 45989

Branch Office  
C-712, Rajyash Rise, Rajyash City,  
Near Vishala Circle, South Vasna  
Ahmedabad-380007 Gujart, India  
[samir@ashok-industries.co.in](mailto:samir@ashok-industries.co.in)

UAE Branch :  
Al Nahda Sharjha U.A.E  
[ashish@ashok-industries.co.in](mailto:ashish@ashok-industries.co.in)  
( Sales and support for Middle East & North Africa market)



**THREE LAYER**  
CO-EXTRUDED  
BLOWN FILM LINE





# THREE LAYER CO-EXTRUDED BLOWN FILM LINE

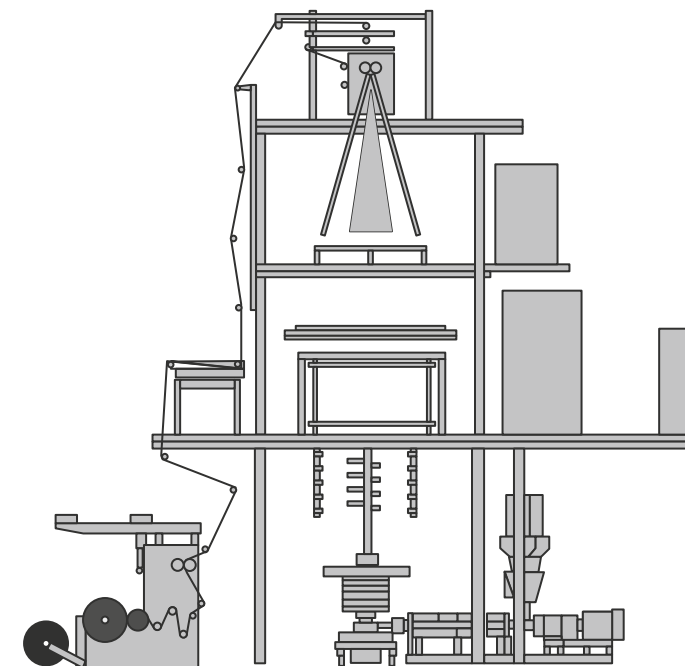
A wide range of Co-extruded three layer blown film line available with world class die and screw barrel design and most precise web control. Blend of simple yet profound performance is unique identity of Ashok Industries. We are pleased to offer our most advanced three layer blown film line series in basic as well as fully automation option to cater various multi layered blown film applications.



## Highly customized line to match your requirement

THREE LAYER (A/B/C)	AI3TR 1200/45/55/45	AI3TR 1350/45/55/45	AI3TR 1750/55/65/55	AI3TR 1900/55/65/55	AI3TR 2200/55/65/55
ROLL SIZE IN MM	1200	1350	1750	1900	2200
WIDTH IN MM	1100	1250	1650	1800	2100
EXTRUDER	45(A) 55(B) 45(C)	45(A) 55(B) 45(C)	55(A) 65(B) 55(C)	55(A) 65(B) 55(C)	55(A) 65(B) 55(C)
MAIN MOTOR (HP)	20 30 20	20 30 20	30 40 30	40 50 40	40 60 40
OUTPUT (KG)	135-150	165-175	200-225	250-275	325-350
CONNECTED LOAD	112	112	145	250	275
DIMENSIONS Mtr.	7.2 X 4.6 X 7.3	8.3 X 5.1 X 7.3	10 X 5.5 X 9	10 X 5.5 X 9	13 X 8 X 12

## Key features IBC line.



## APPLICATION:

- Lamination film
- LD Heat Shrink film
- Mulch film
- Agriculture film
- Multi-Layer Liner bag
- Surface Printing poly
- Heavy Duty Liners – Jumbo Bags
- Courier Bag
- FFS Liners
- Shrink Hood Film

A PRO series of our three layer line presented with high output and full automation option. Complying all quality and safety standards, our IBC three-layer line can perform in variety of resin blends across the globe. Our expertise in technology integration delivered most desirable result to customer.



## MACHINE SALIENT FEATURES

- Main control Cabinet
- Multi-component material conveying system
- 12 component Gravimetric Dosing & batch blending System
- Extrusion loss-in weight system to control and reduce linear variation maintain layer ration
- Extruder for Outer Layer
- Extruder for Middle Layer
- Extruder for Inner Layer
- Grooved Feed Section with temperature control
- Barrier screw design with 30:1 L/D Ration and special mixing section.
- Co-extrusion three layer die head with installed die
- Internal Bubble cooling system
- High Efficiency dual flow air cooling ring
- Auto Profile control
- Motorized Collapsar
- Profile measuring unit
- Oscillating haul-off (Horizontal)
- Centre line Web guide system with 2 sensors
- Fully Automatic two station surface winder with (Three) load cell-based tension control
- Integrated 18-inch touch screen control
- Air-conditioned control panel
- Complete tower frame with walk around platform
- Cooling system
- Line control
- Auto unloading
- Empty shaft loading facilitya
- Inline edge trim recycling and feeding system

THREE LAYER(A/B/C)	AI3TR-IBC-1950-55/65/55	AI3TR- IBC -2200-65/75/65	AI3TR- IBC -2600-75/90/75
ROLL SIZE IN MM	1950	2200	2600
WIDTH IN MM	1850	2100	2500
EXTRUDER	55 65 55	65 75 65	75 90 75
MAIN MOTOR (HP)	40 50 40	40 75 40	75 100 75
OUTPUT (KG)	325-350	400-425	500-550
CONNECTED LOAD	250	300	352
DIMENSIONS	10 X 5.5 X 9	13 X 8 X 12	15 X 9.5 X 15